

Smart Fill

- Freestanding, pad mountable, open construction pumpset
- Weatherproof and lockable fill box with 7 gallon spill containment sump
- Weatherproof and lockable control box 2", 3" or 4" fittings
- Quick disconnect hose coupling with dust plug Inlet shutoff valve
- Check valve and ball valve
- Spill sump drain valve
- High capacity transfer pump
- Ground stud
- Couplers and adapter

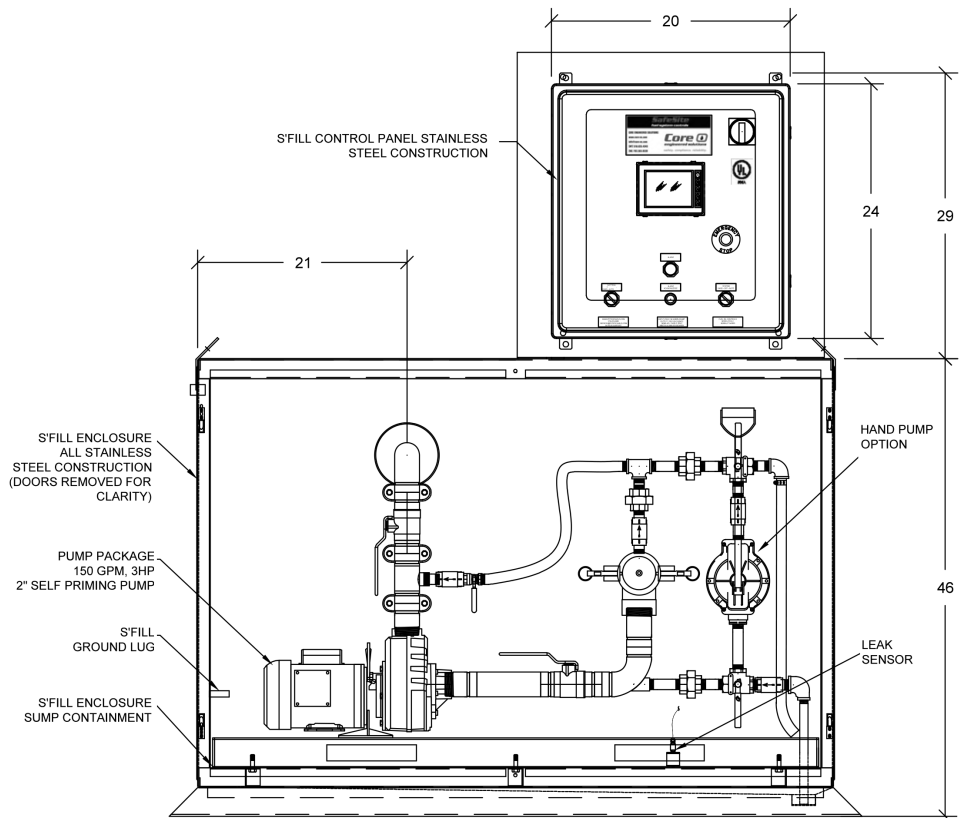
Controller

- Tank level transmitter with high level and tank leak visual alarms
- Audible alarm horn activated by alarms above
- Power available indicator
- Emergency stop switch
- Control power On-Off switch (keyed)
- Pump start/stop push buttons
- Top-off/hose drain mode push button
- Pump starter and overload
- NEMA 4X control enclosure (fuel oil version); explosion proof control enclosure (gasoline version optional)

SafeSite™ Smart Fill

Automatic Fuel Tank Fill System

The Smart Fill is for the transfer of fuels from delivery trucks into aboveground storage tanks with control of filling operations to prevent overflow. The system allows for draining of the truck delivery hose. The Smart Fill provides a ground level connection with containment to capture any spill that may occur during filling operations. The Smart Fill includes a high volume fuel transfer pump and intelligent pump controls.



Closed and Open Smart Fill Tank Fill System

